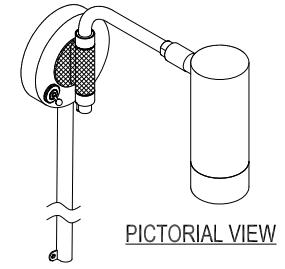
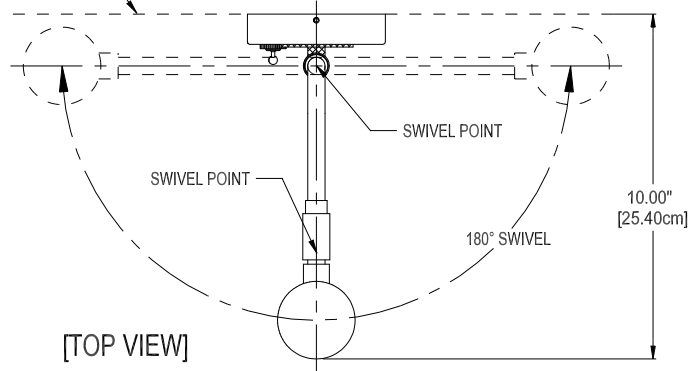




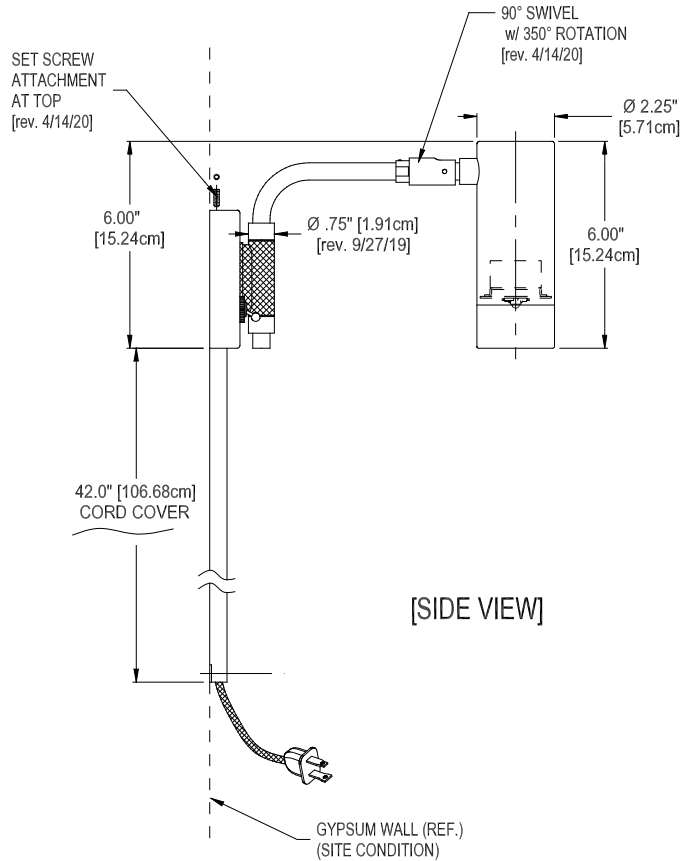
Q16255
 CUSTOM READING LIGHT
 JOB # 2019-129
 FINISH: BRUSHED BRASS & #2 LACQUER [#10060] [rev. 10-23-19]
 w/ ACCENTS: PAINTED GUNMETAL FINISH [#16255] [rev. 10-23-19]
 METAL SHADE: BRUSHED BRASS & #2 LACQUER [#10060] [rev. 4/24/20]
 CORD COLOR/LENGTH: SPT-2 w/ BLACK FABRIC WRAP / 8' EXP.
 BULB SPEC: STAR MODULE, 3 watt HI LUMEN,
 2700°K (INCLUDED) [rev. 4/14/20]
 SWITCHING: TOGGLE, ON / OFF (BRASS) [rev. 9/27/19]
 OTHER COMPONENTS: 120V LED DRIVER [rev. 4/14/20]
 UL RATED 120V
 DATE: 9/19/19 YW rev. 9/27/19 B.V. rev. 10-8-19 cf rev. 10-23-19 co
 rev. 4/14/20 JANE rev. 4/24/20 co

SCALE: 3/16

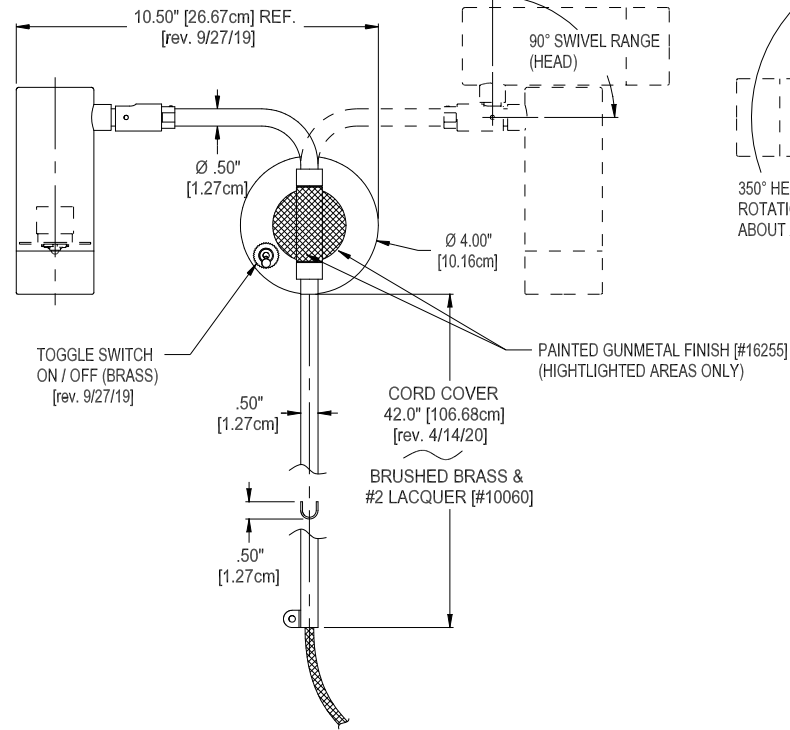
GYPSUM WALL (REF.)
(SITE CONDITION)



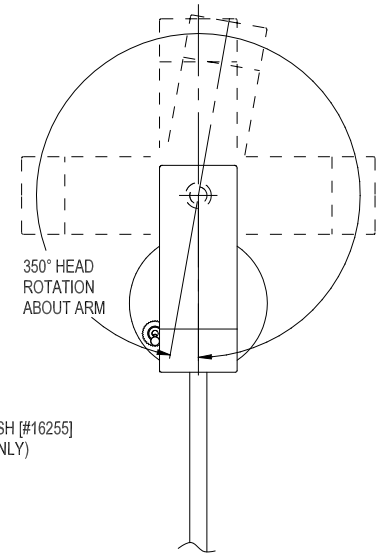
PICTORIAL VIEW



[SIDE VIEW]



[FRONT VIEW]



AUX.
[FRONT VIEW]