

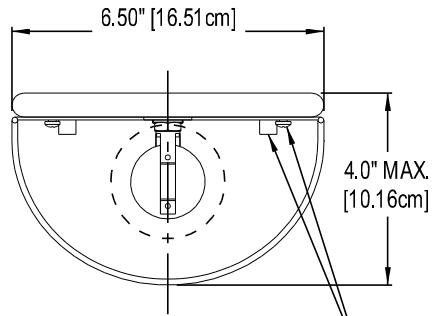
CHAPMAN

AVON, MASSACHUSETTS 02322
U.S.A.

Q-11671
SCONCE @ CORRIDOR

FINISH: POLISHED NICKEL & LACQUER
/ PAINTED HI-TEMP WHITE
SHADE: HARDBACK, JS-635 WITH FLAME RETARDANT
SELF TRIM, TOP & BOTTOM
w/ SLOTTED CROSSBAR MOUNT (PAINTED WHITE)
SOCKET TYPE: GU24
WATTAGE EQ.: 60W
BULB SPEC: SELF BALLASTED LEDs, 2700°K / 13W (BY OTHERS)
UL RATED, 120V

SCALE: 1/4



SHADE SCREWS & MOUNTING CAPS
(PAINTED HI-TEMP WHITE)

