

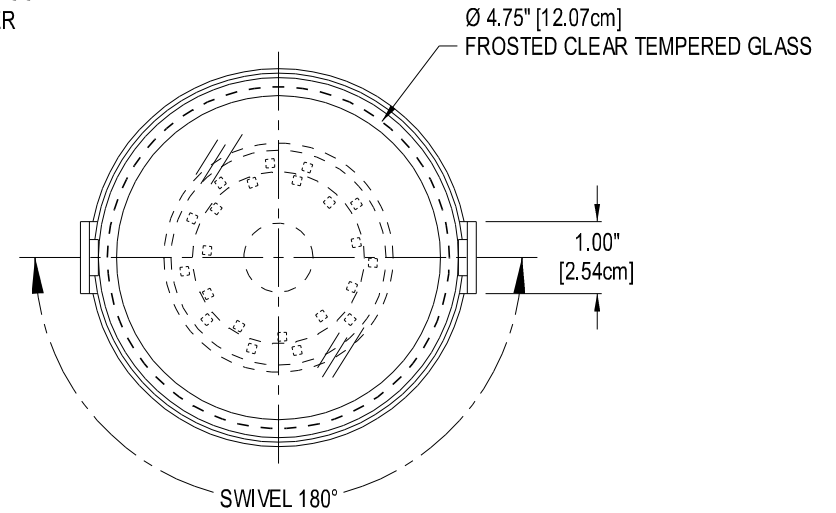
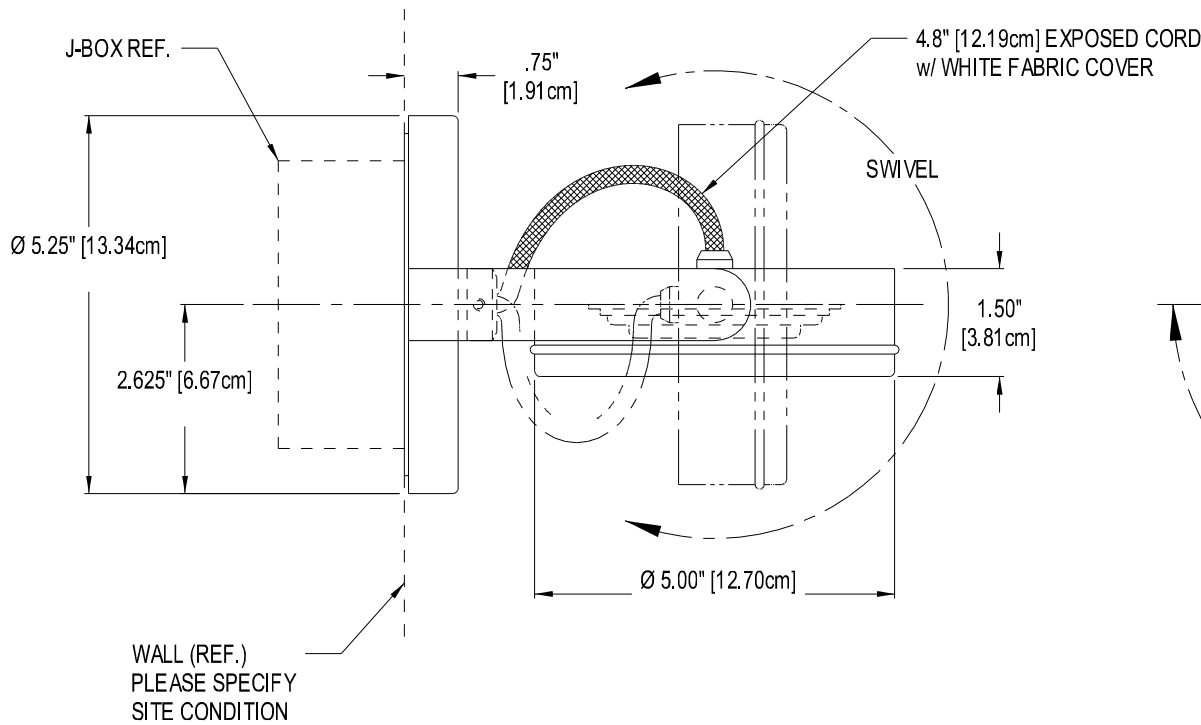
CHAPMAN. 
 AVON, MASSACHUSETTS 02322
 U.S.A.

Q-10708

READING LIGHT
 FINISH: PAINTED MATTE WHITE
 SHADE: METAL SHADE w/ FROSTED CLEAR TEMPERED GLASS LENS
 BULB TYPE / WATTAGE: (INCLUDED) LED LIGHT ENGINE
 10W, 2700°K, DIMMABLE

SWITCHING: HARDWIRE
 OTHER COMPONENTS: 120V LED DRIVER
 UL RATED

SCALE: 3/8



FRONT VIEW

METAL SHADE POSITIONED VERTICALLY