

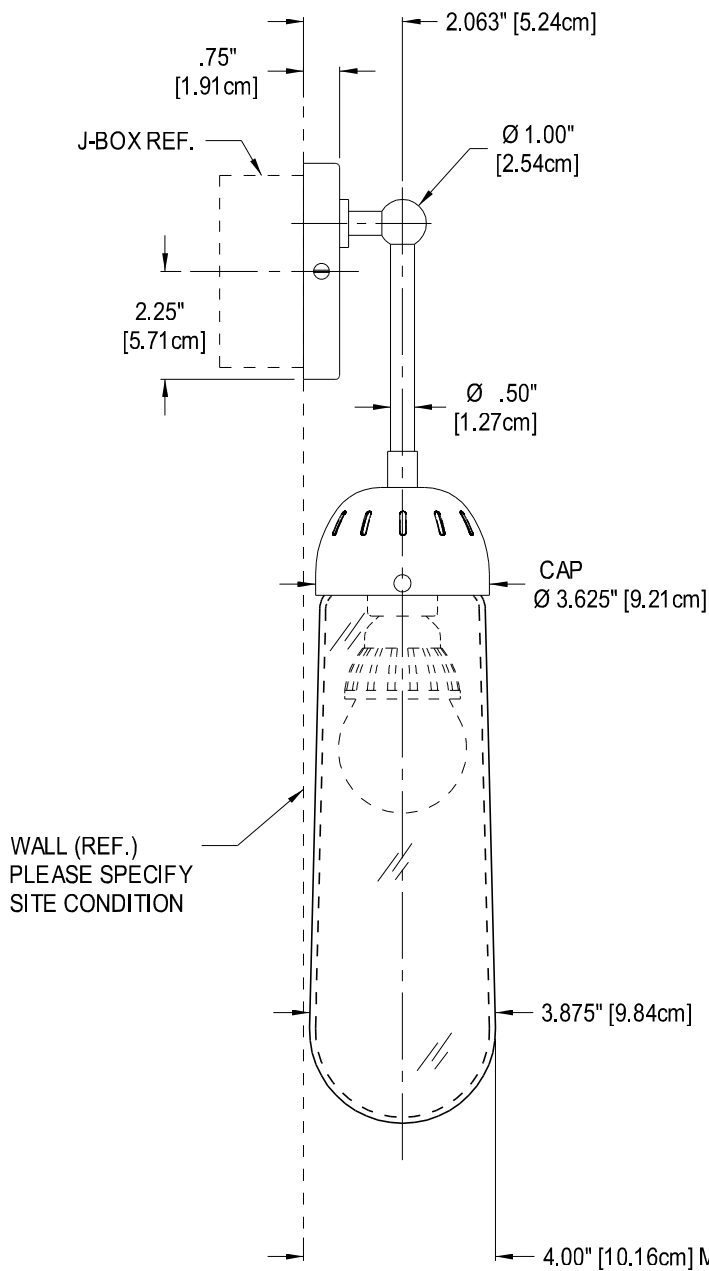
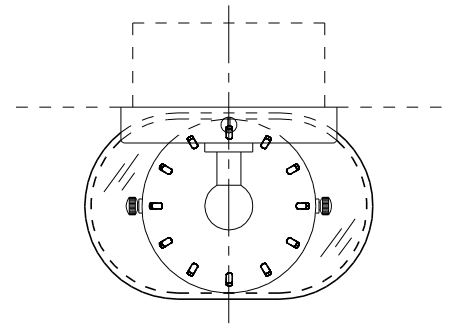
CHAPMAN.

AVON, MASSACHUSETTS 02322
U.S.A.

Q-10055

SCONCE AT CORRIDOR
 FINISH: BRONZE, 7099 & LACQUER
 SHADE: OPAL GLASS FROSTED
 SOCKET TYPE: MEDIUM BASE (E26)
 MAX. WATTAGE: 100W
 BULB SPEC: SELF BALLASTED LED, 18W (BY OTHERS)
 UL RATED

SCALE: 1/4



MOUNTING SCREWS
 PAINTED TO MATCH

