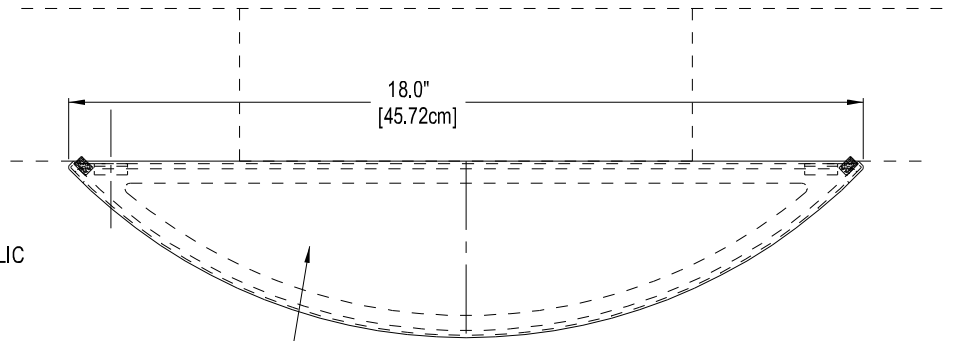


CHAPMAN. 
AVON, MASSACHUSETTS 02322
U.S.A.

Q-05336

FINISH: METAL FRAME: POLISHED CHROME
SHADE: JS-635 LAMINATED TO FROSTED CLEAR ACRYLIC



CLOSED METAL TOP

JS-635 SHADE MATERIAL

