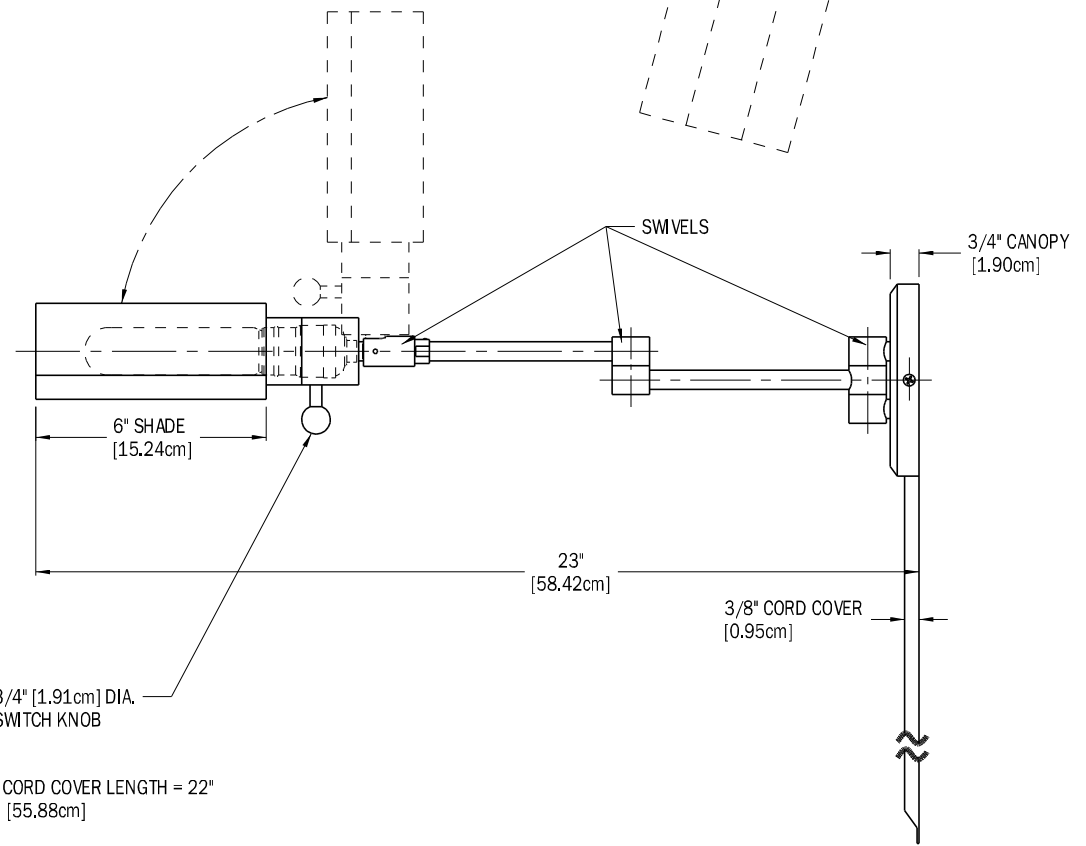
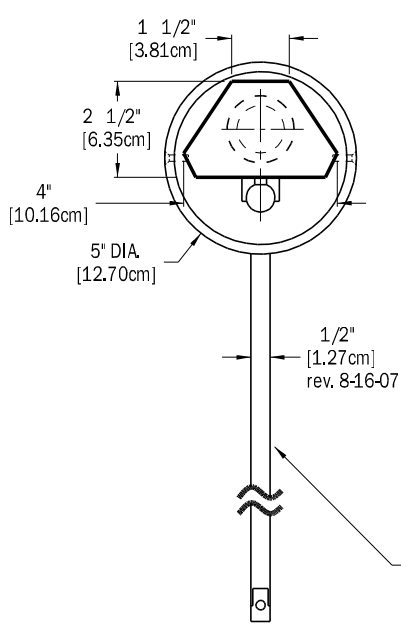
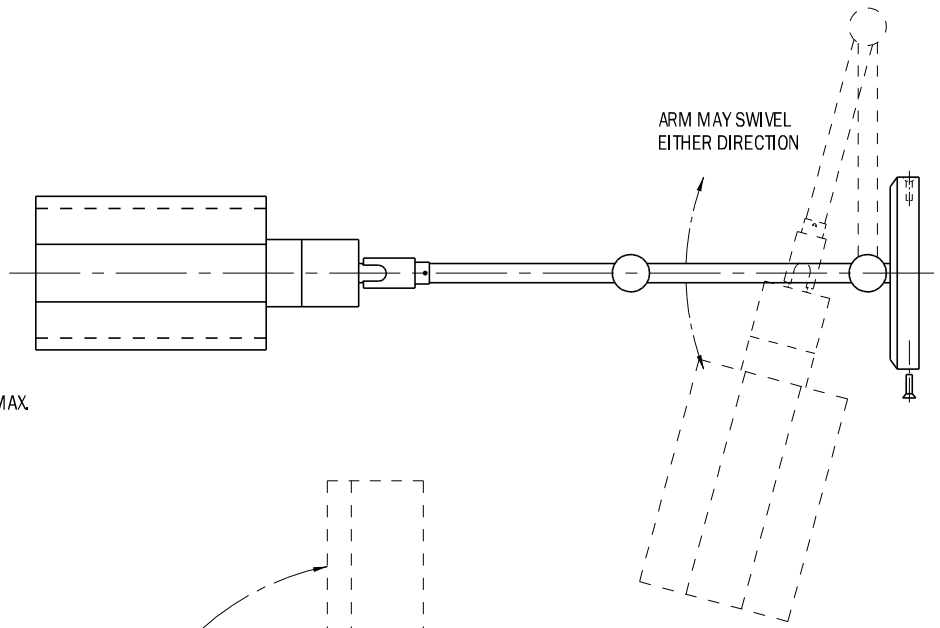


CHAPMAN. 
 AVON, MASSACHUSETTS 02322
 U.S.A.

Q-01908

FINISH: 2099C BRONZE FINISH w/ LIGHT SWIRL
 CORD COLOR/LENGTH: CLEAR SILVER SVT-2 /
 33" EXPOSED
 BULB TYPE/WATTAGE: MED BASE T-BULB / 60W MAX.
 SWITCH: DIMMER AT SOCKET



ARM MAY SWIVEL
 EITHER DIRECTION

SWIVELS

3/4\"/>
 [1.90cm]

3/8\"/>
 [0.95cm]

3/4\"/>
 [1.91cm] DIA.
 SWITCH KNOB

CORD COVER LENGTH = 22\"/>
 [55.88cm]

1/2\"/>
 [1.27cm]
 rev. 8-16-07

6\"/>
 [15.24cm]

23\"/>
 [58.42cm]

4\"/>
 [10.16cm]

5\"/>
 [12.70cm]

2 1/2\"/>
 [6.35cm]

1 1/2\"/>
 [3.81cm]