

Q-13816

TABLE LAMP @ DESK

JOB # 2006-055

FINISH: ANTIQUE BRASS & LACQUER

BASE: CAST RESIN "FAUX ALABASTER YH#5 [rev. 6/22/18]

BOTTOM DIFFUSER: MATERIAL "C" (WHITE ACRYLIC)

SHADE: HARDBACK, JS-635 w/ FLAME RETARDANT

NO TRIM - ROLLED EDGE

TOP: 4 ARM w/ (2 x) STANDARD WASHER (BRASS FINISH)

BOTTOM: (4 x) CUSTOM DIFFUSER TABS (BRASS FINISH)

CORD COLOR/LENGTH: CLEAR SILVER, SPT-2 / 8' EXP.

SOCKET TYPE: (2 x) GU24 BASE

WATTAGE EQ.: 60W

BULB SPEC: (2 x) GU24 BASE, SELF BALLASTED LED, ~9W (BY OTHERS)

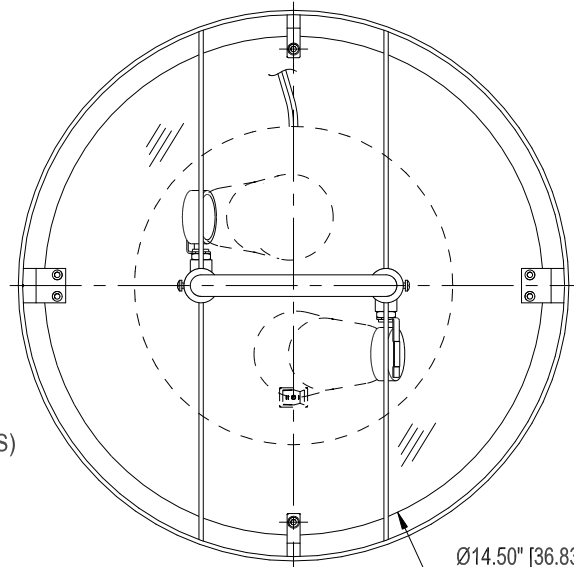
SWITCHING: (DPDT) ROCKER, ON/OFF/ON (L1/OFF/L1+L2) (WHITE)

[rev. 4/13/18] (ADA COMPLIANT)

UL RATED

DATE: 3/14/18 YW rev. 4/13/18 R.A. rev. 4/23/18 S.O. rev. 6/22/18 R.A.

SCALE: 1/6



Ø14.50" [36.83cm]
 BOTTOM DIFFUSER
 (MATERIAL "C"(WHITE ACRYLIC))

