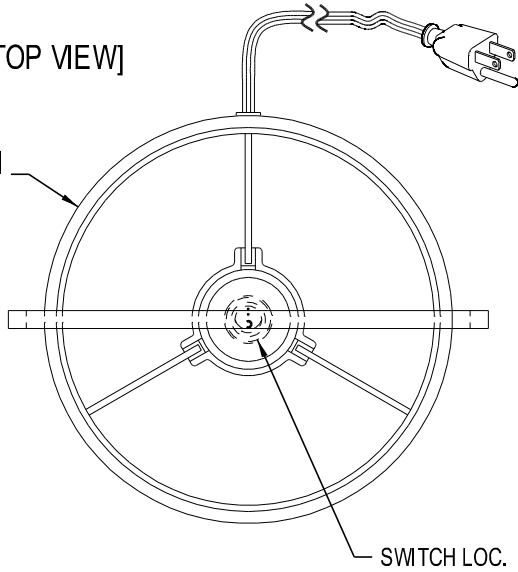


[TOP VIEW]

Ø 8.50" [21.59cm]
BASE COVER



CHAPMAN.

AVON, MASSACHUSETTS 02322
U.S.A.

Q-11384
TABLE LAMP [ADA]

FINISH: PAINTED POWDER COAT MATTE BLACK
 SHADE: HARDBACK, M040-013 RAFFIA w/ FLAME RETARDANT
 ROLLED EDGES [TOP & BOTTOM]
 3 ARM EURO SPREADER (NICKEL FINISH)
 CORD COLOR / LENGTH: SPT-2 / 3 COND. CLEAR SILVER / 8' EXP.
 SOCKET TYPE: MED. BASE (E26)
 MAX. WATTAGE: 100W
 BULB SPEC: MED. BASE, SBLED / 18W MAX.
 SWITCHING: ROCKER, ON / OFF (BLACK)
 UL RATED

SCALE: 1/4

