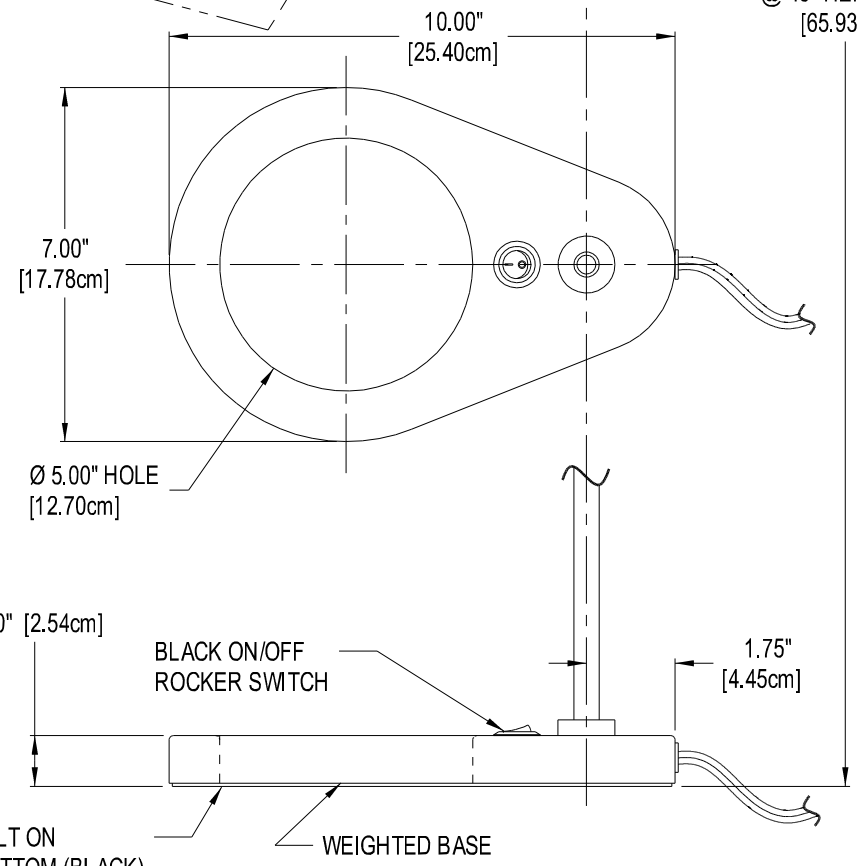


**CHAPMAN.**  
 AVON, MASSACHUSETTS 02322  
 U.S.A.

Q-07929  
 FINISH: SATIN BRASS & LACQUER  
 CORD COLOR / LENGTH: SPT-2, CLEAR SILVER / 6' EXP.  
 SOCKET TYPE: MED. BASE (E26)  
 MAX. WATTAGE: 60 W  
 BULB SPEC: INCANDESCENT / 60W (BY OTHERS)  
 SWITCHING: ROUND ROCKER, ON / OFF (BLACK)  
 UL RATED



26.00" O.H.T.  
 @ 45° HEAD TILT  
 [65.93cm]