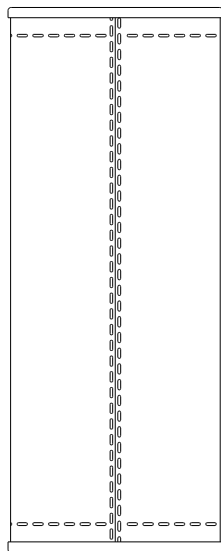
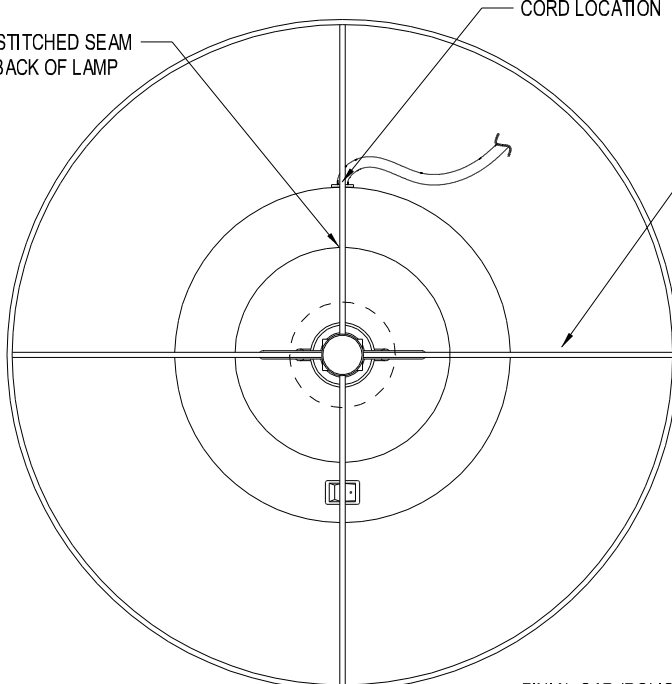


FUNCTIONAL STITCHED SEAM  
LOCATED AT BACK OF LAMP

CORD LOCATION

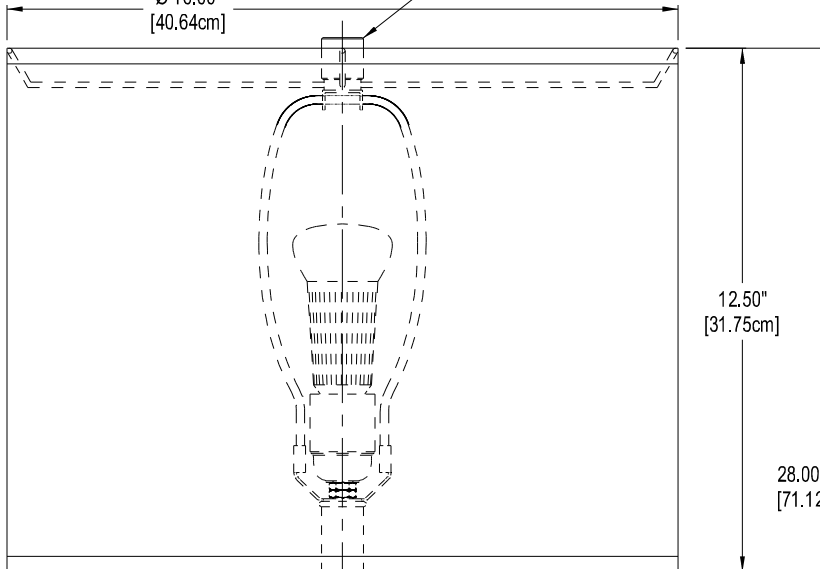
POLISHED  
CHROME  
SPREADER



REAR VIEW OF LAMP BODY  
SHOWING STITCHING DETAIL

FINIAL CAP (POLISHED CHROME)  
Ø 1.00" [2.54cm] x 1.00" [2.54cm] TALL

Ø 16.00"  
[40.64cm]



12.50"  
[31.75cm]

28.00" O.H.T.  
[71.12cm]

**CHAPMAN.**  
AVON, MASSACHUSETTS 02322  
U.S.A.

Q-06956 (220V)

FINISH: POLISHED CHROME / PAINTED WALNUT REF. Q-01634  
/ C.O.M. LEATHER, NAPOLI COLOR w/ TIBERIUS PATTERN  
SHADE: HARDBACK, JS-635 WITH FLAME RETARDANT  
SELF TRIM (TOP & BOTTOM)  
4 ARM SPREADER (POL. CHROME)  
CORD COLOR / LENGTH: H307, CLEAR SILVER / 8' EXP.  
w/EURO 3-PRONG GROUNDED PLUG (CLEAR)  
BULB TYPE: E27 BASE A-BULB OR E27 BASE LED (BY OTHERS)  
MAX. WATTAGE: 100W (INCANDESCENT) OR 17W (CFL)  
SWITCHING: ROCKER, ON / OFF (BLACK)  
SASO / CE CERTIFIED

Ø 1.00 [2.54cm] NECK  
(POLISHED CHROME)

.25" [0.64cm] WIDE CAP  
TOP & BOTTOM  
(POLISHED CHROME)

13.00"  
[33.02cm]

LEATHER WRAPPED BODY, Ø 5.00" [12.70cm]  
(C.O.M. MATERIAL NAPOLI COLOR w/ TIBERIUS PATTERN)

BASE CAP, 0.25" [.64cm]  
(POLISHED CHROME)

"ADA"  
ROCKER SWITCH  
ON / OFF (BLACK)

PLUG CONFIGURATION  
(NOT TO SCALE)



EURO, 3-PRONG BS PLUG  
3A FUSED, 250 V (CLEAR)

METAL BASE / LOADER  
Ø 8.00" [20.32cm]  
(PAINTED WALNUT REF. Q-01634)

1.25"  
[3.17cm]

WEIGHTED BASE & FELTED ON BOTTOM (BLACK)