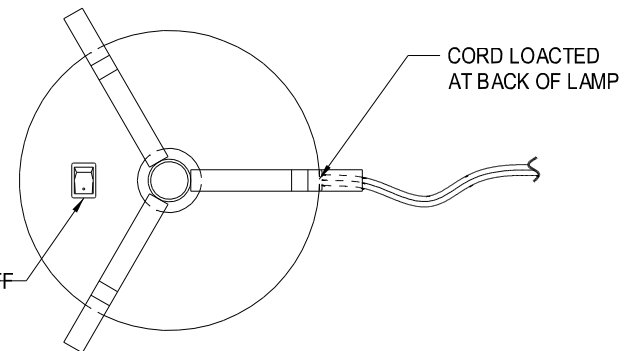


**CHAPMAN.**   
 AVON, MASSACHUSETTS 02322  
 U.S.A.

Q-04128

FINISH: TO MATCH #6456 OXIDE  
 SHADE: HARDBACK, JS-635 WITH FLAME RETARDANT  
 SELF TRIM, TOP & BOTTOM  
 CORD COLOR/LENGTH: CLEAR SILVER SPT-2 / 8' EXP.  
 BULB TYPE: MED. BASE A-BULB OR MED. BASE SELF BALLASTED  
 COMPACT FLUORESCENT (BY OTHERS)  
 MAX. WATTAGE: 150 W (INCANDESCENT)  
 SWITCHING: ROCKER, ON / OFF AT BASE (BLACK)  
 UL RATED



**TOP VIEW OF BASE**