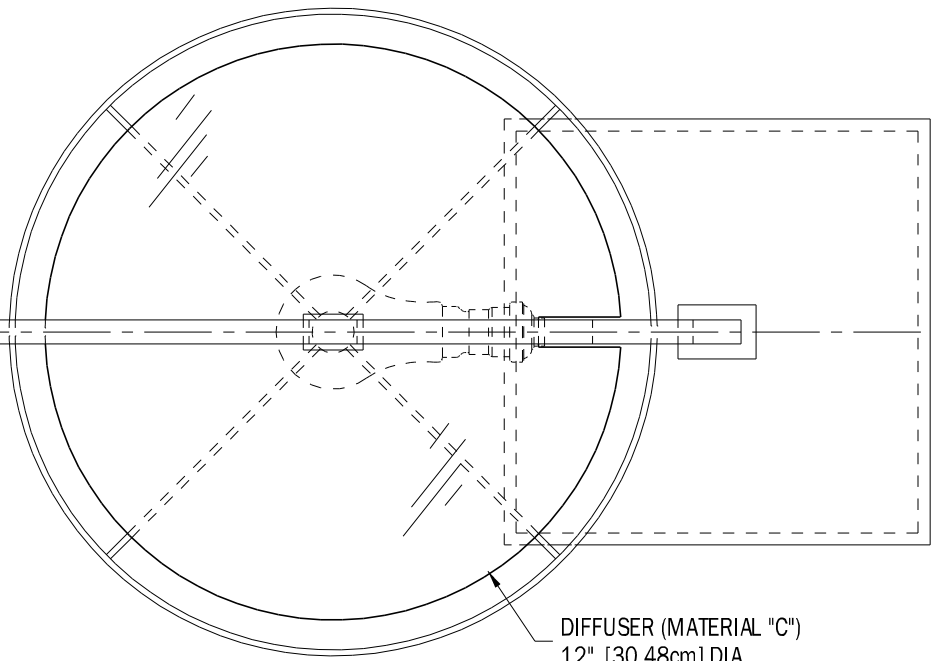


1/2"
[1.27cm]



DIFFUSER (MATERIAL "C")
12" [30.48cm] DIA.

16"
[40.64cm]

8 1/2"
[21.59cm]

8"
[20.32cm]

13 1/2" DIA
[34.29cm]

22 1/2" O.H.T.
[57.15cm]

CHAPMAN. 
AVON, MASSACHUSETTS 02322
U.S.A.

Q-03080

FINISH: BRUSHED NICKEL & LACQUER
SHADE: JS-635 WITH FLAME RETARDANT
CORD COLOR / LENGTH: 3 CORE ROUND H03VV-F CABLE (BLACK)
8' EXP. w/ 3 PRONG GROUNDED PLUG
BULB TYPE / WATTAGE: B-22 BAYONET BASE / 100W MAX.
or B-22 BAYONET BASE, SELF BALLASTED
COMPACT FLUORESCENT / 20W MAX.
SWITCHING: 230V ROCKER, ON / OFF (BLACK) ON CORD

1"
[2.54cm]

ROCKER SWITCH, ON / OFF
(BLACK)

8 7/8" SQUARE
[22.54cm]

1 1/8"
[2.86cm]

BASE / LOADER
8 3/8" [21.27cm] SQUARE
(BRUSHED NICKEL & LACQUER)

