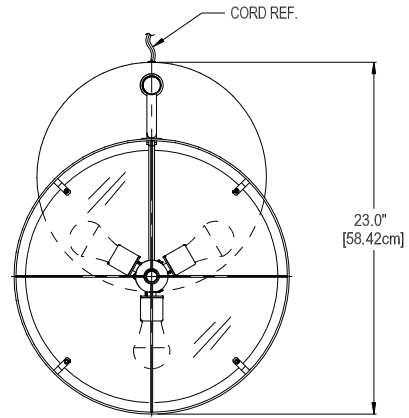




Q16924
 FLOOR LAMP
 JOB # 2019-187
 FINISH: DARK ANTIQUE BRASS & LACQUER [#14510] [rev. 1/31/20]
 ACCENTS: BRUSHED SATIN BRASS [#16747] [rev. 4-10-20]
 SHADE: HARDBACK: JS-060220 w/ SLOTTED BACK & ROLLED EDGES T & B
 DIFFUSER: MATERIAL "C", (WHITE ACRYLIC)
 CORD COLOR/LENGTH: SPT2, CLEAR SILVER, 8' EXPOSED.
 SOCKET TYPE: MEDIUM BASE (E26)
 WATTAGE EQ.: 60W
 BULB SPEC:(3x) E-26, LED A-19, 2700K ~ 9W (* BY OTHERS)
 SWITCHING: DIMMER w/ METAL KNOB (FINISH) [rev. 1/31/20]
 UL LISTED, 120v
 DATE: 1-18-20 JANE rev. 1/31/20 co rev. 4-10-20 cf

SCALE: 0.08



* BULBS BY CHAPMAN
 MODEL ROOM ONLY

