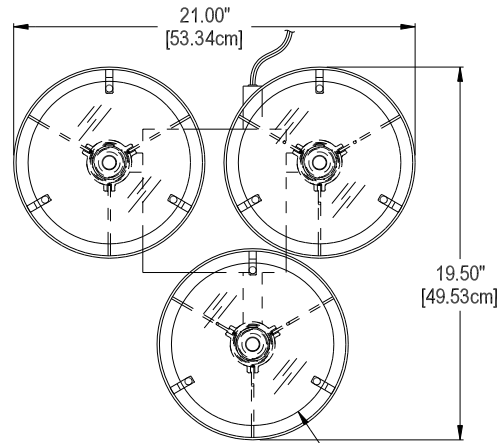


Q-15344
 FLOOR LAMP
 JOB # 2016-124
 FINISH: BRUSHED ANTIQUE CHAMPAGNE BRASS & LACQUER [#8799]
 DIFFUSERS: 3x MATERIAL "C" (WHITE ACRYLIC)
 SHADE: 3x HARDBACK, JS-633 [rev. 3/6/19] WITH FLAME RETARDANT
 NO TRIM - ROLLED EDGE
 3x CUSTOM DIFFUSER TABS AT TOP (BRASS FINISH)
 3 ARM SPREADER AT BOTTOM (BRASS FINISH)
 CORD COLOR/LENGTH: CLEAR SILVER, SPT-2 / 8' EXP.
 SOCKET TYPE: MEDIUM BASE (E26)
 WATTAGE EQ.: 3x 60W
 BULB SPEC: * SELF BALLASTED LEDs, 2700°K / 3x ~13W (BY OTHERS)
 SWITCHING: FOOT SWITCH, ON / OFF (BLACK) ON CORD
 UL RATED
 DATE: 3/4/19 YW rev. 3/6/19 B.V. rev. 3/18/19 c.o.

SCALE: 1/10

* BULBS FOR MODEL ROOM
 SUPPLIED BY CHAPMAN



TOP DIFFUSER TYP. [rev. 3/6/19]
 Ø 8.50" [21.59cm]
 (MATERIAL "C" [WHITE ACRYLIC])

