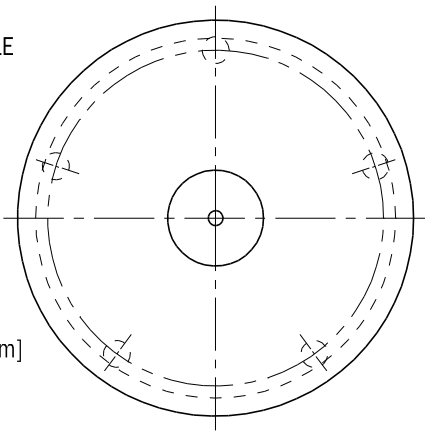


CHAPMAN. 
 AVON, MASSACHUSETTS 02322
 U.S.A.

Q-02252

FINISH: SATIN WALNUT WOOD FINISH
 WITH POLISHED CHROME
 SHADE: DESIGNTEX / UNDER PRESSURE /
 SMOKE - 2355-104
 CORD COLOR/LENGTH: CLEAR SILVER SPT-2 / 8' EXP.
 BULB/WATTAGE: (2) TYPE A 100W MAX. or 26W COMP.
 FLUORESCENT, SELF BALLASTED (by others)
 SWITCHING: ON/OFF ROTARY @ SOCKET, NICKEL



TOP VIEW OF BASE ONLY