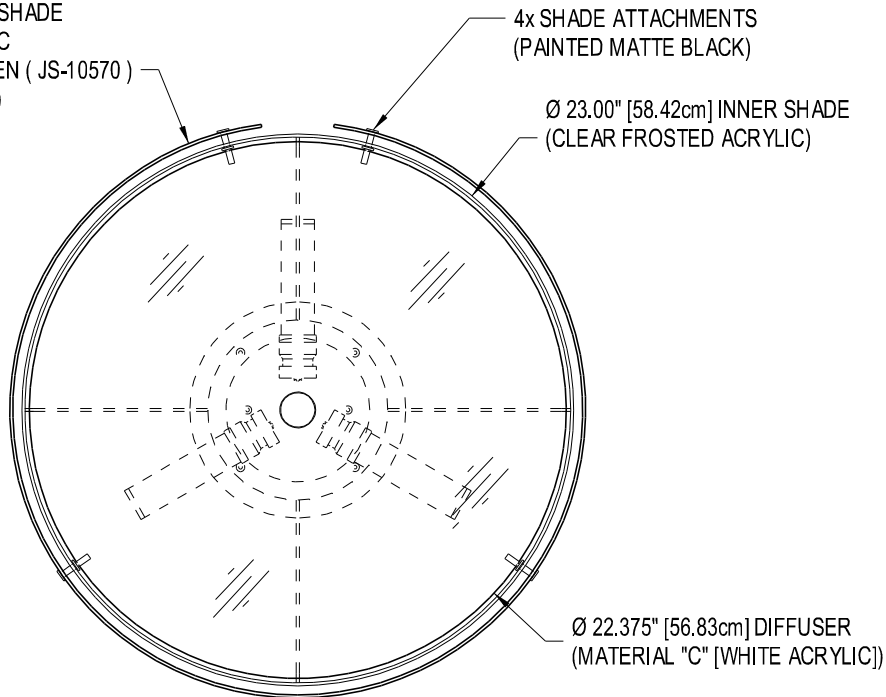


Ø 24.00" [60.96cm] OUTER SHADE  
(CLEAR FROSTED ACRYLIC  
LAMINATED w/ TAUPE LINEN ( JS-10570 )  
WITH FLAME RETARDANT)



**CHAPMAN**   
AVON, MASSACHUSETTS 02322  
U.S.A.

Q-10570-K

CEILING FIXTURE AT CORRIDOR

FINISH: PAINTED MATTE BLACK  
/ MATERIAL "C" (WHITE ACRYLIC)  
OUTER SHADE: CLEAR FROSTED ACRYLIC  
LAMINATED w/ TAUPE LINEN ( JS-10570 )  
MATERIAL WITH FLAME RETARDANT  
INNER SHADE: CLEAR FROSTED ACRYLIC  
SOCKET TYPE: GU24  
MAX. WATTAGE: 3x 8W  
BULB SPEC: 120-277 V, SELF BALLASTED LEDs  
/ 3 x 8W  
OTHER COMPONENTS: ADAPTER REMOVED  
UL RATED 277V

SCALE: 1/8

OVERALL WEIGHT 8LBS