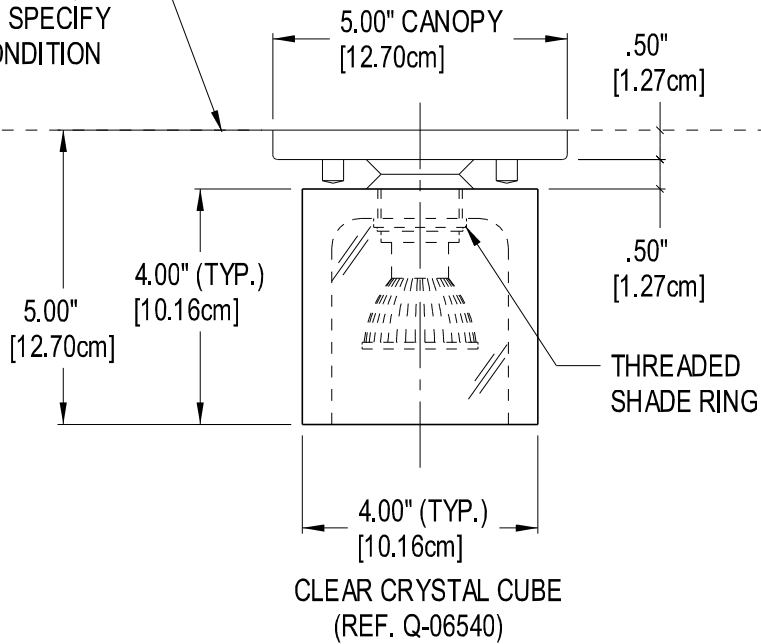


CEILING (REF.)  
PLEASE SPECIFY  
SITE CONDITION



**CHAPMAN.**   
AVON, MASSACHUSETTS 02322  
U.S.A.

Q-06541

JOB # 2012-046

FINISH: POLISHED CHROME

SHADE: CLEAR CRYSTAL

BULB TYPE: MR16, GU10 BASE, DIMMABLE LED (BY OTHERS)

MAX. WATTAGE: 4W (3000K)

SWITCHING: HARDWIRED

UL RATED

