

Ø 34.00" [86.36cm] REF.  
OUTER EDGE OF SHADE

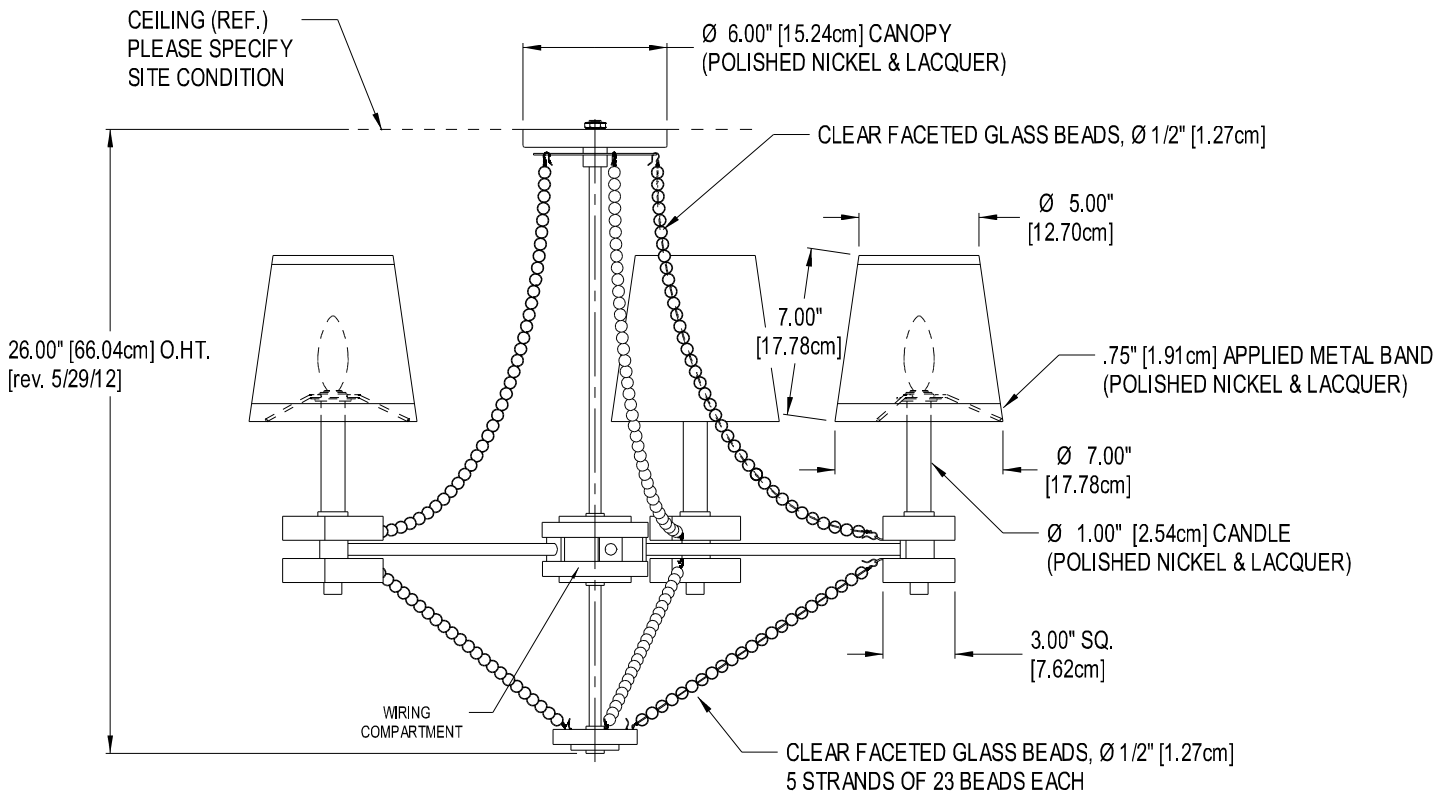
Ø 27.00" [68.58cm]  
SOCKET CTR. LINE

TOP VIEW

**CHAPMAN.**   
AVON, MASSACHUSETTS 02322 U.S.A.  
Q-05859

FINISH: POLISHED NICKEL & LACQUER  
SHADE: HARDBACK (5 x), #2-2, CREAM LINEN  
SELF TRIM TOP, ROLLED EDGE BOTTOM  
APPLIED METAL BAND BOTTOM  
with 3-ARM SPREADER (NICKEL FINISH)  
BULB TYPE: CANDELABRA BASE, B-BULBS  
MAX. WATTAGE: 5x 60W  
UL RATED

SCALE: 1/8



CEILING (REF.)  
PLEASE SPECIFY  
SITE CONDITION

Ø 6.00" [15.24cm] CANOPY  
(POLISHED NICKEL & LACQUER)

CLEAR FACETED GLASS BEADS, Ø 1/2" [1.27cm]

Ø 5.00"  
[12.70cm]

26.00" [66.04cm] O.H.T.  
[rev. 5/29/12]

7.00"  
[17.78cm]

.75" [1.91cm] APPLIED METAL BAND  
(POLISHED NICKEL & LACQUER)

Ø 7.00"  
[17.78cm]

Ø 1.00" [2.54cm] CANDLE  
(POLISHED NICKEL & LACQUER)

WIRING  
COMPARTMENT

3.00" SQ.  
[7.62cm]

CLEAR FACETED GLASS BEADS, Ø 1/2" [1.27cm]  
5 STRANDS OF 23 BEADS EACH